



REYA POWER

ACCESSORIES



HAT
COLLECTIVE™
HUMAN ACTIVE TECHNOLOGY

SMART. BEAUTIFUL. POWERFUL.

Meet Reya - our new power family. Reya's design-forward architecture with soft, curved lines offers a full spectrum of mountable power options for your workstation. Whatever your power needs, big or small, Reya provides power conveniently at your fingertips.



REYA 140W SURFACE POWER MODULE

Finishes

- White
WH
- Black
BK

Features

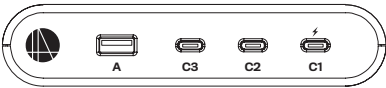
- 1 USB-A charger port
- 3 USB-C charger ports
- Can charge laptop up to 140 Watts (requires 5A-Rated USB-C cable, included)
- Conforms and tested to UL 962A, UL 1310
- Top down mount:
 - Desk edge: 0.4" - 1.7"
 - Grommet: Ø 2" minimum

Dimensions

- Product: 5.5" x 4.7" x 2.4"
- Power supply: 6.3" x 2.7" x 1.4"
- Cord length:
 - Input: 4' (cable to power supply)
 - Output: 4' (cable from power supply)

Specifications

- Input: 100-240V, ~50/60Hz, 2.5A Max.
- Output: PD3.1 up to 140W



Item	USB-C1	USB-C2	USB-C3	USB-A
Single Port	140W	45W	45W	18W
Dual Port	100W	30W		
	100W		30W	
	100W			18W
		45W	45W	18W
Triple Port			15W	
	100W	20W	20W	
	100W	20W		18W
	100W			15W
Quadruple Port	100W	20W	10W	

Part Numbers

PWR-ACCC-TD-__



REYA 140W CHARGING CAP FOR E5

Finishes

- White
WH
- Silver
SI
- Black
BK

Features

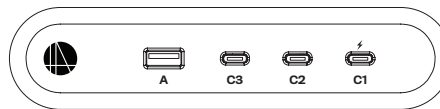
- 1 USB-A charger port
- 3 USB-C charger ports
- Can charge laptop up to 140 Watts (requires 5A-Rated USB-C cable, included)
- Conforms and tested to UL 962A, UL 1310
- In-mount for E5 monitor arm

Dimensions

- Product: 6.7" x 3.7" x 2.1"
- Power supply: 6.3" x 2.7" x 1.4"
- Cord length:
 - Input: 4' (cable to power supply)
 - Output: 4' (cable from power supply)

Specifications

- Input: 100-240V, ~50/60Hz, 2.5A Max.
- Output: PD3.1 up to 140W

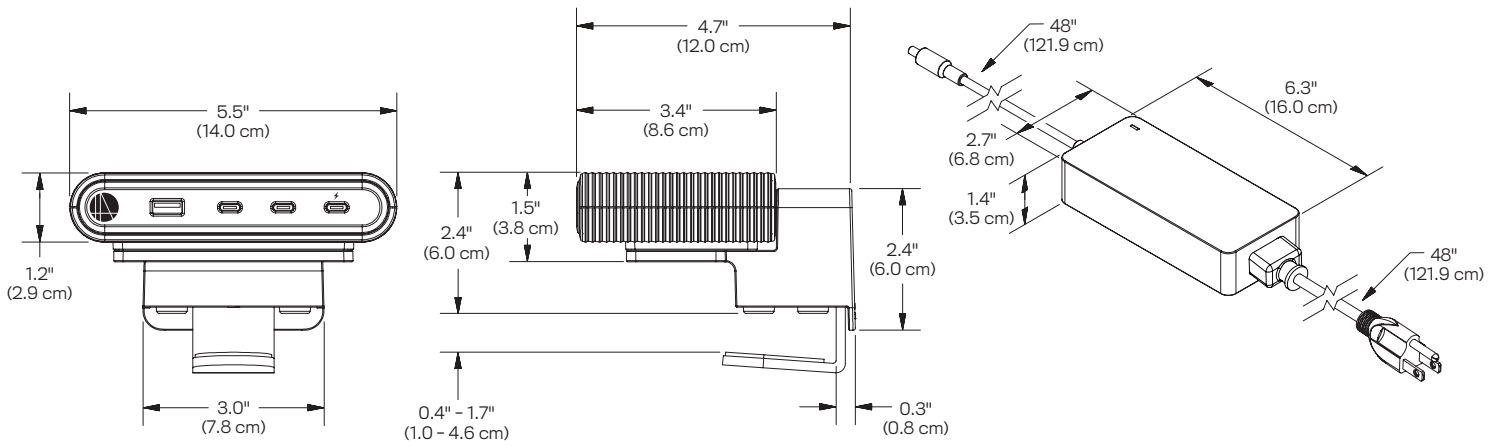


Item	USB-C1	USB-C2	USB-C3	USB-A
Single Port	140W	45W	45W	18W
Dual Port	100W	30W		
	100W		30W	
	100W			18W
		45W	45W	18W
Triple Port			15W	
	100W	20W	20W	
	100W	20W		18W
	100W			15W
Quadruple Port	100W	20W	10W	

Part Numbers

PWR-ACCC-IM-__

PWR-ACCC-TD



PWR-ACCC-IM

