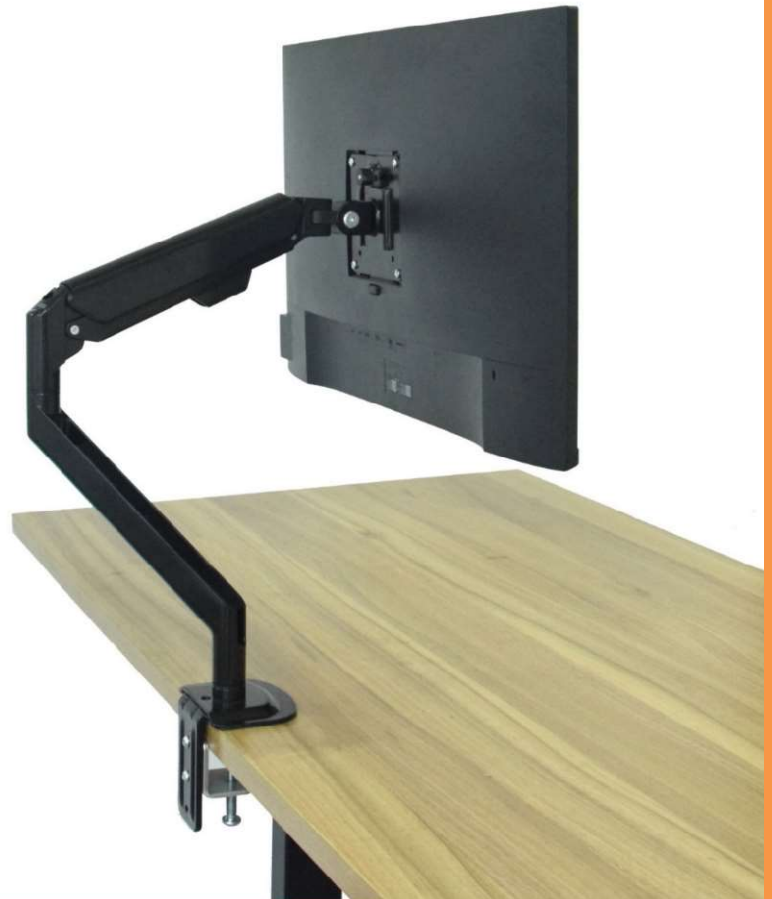


ACTIVATE

monitor arm



- ✓ New generation,
elegant dynamic arm
- ✓ 2kg to 8kg weight load
- ✓ Cost effective
- ✓ Stocked in Australia



ACTIVATE

monitor arm



SINGLE MONITOR ARM KA-101

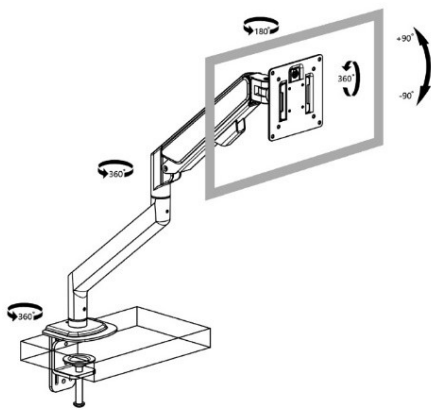
- Gas Spring one touch height adjustability
- Quick release VESA Plate
- Monitor Weight load 2kg to 8kg
- Integrated cable management
- Desk clamp & bolt thru grommet included
- Laptop Tray option



2024
Base design



white black



Optional laptop tray

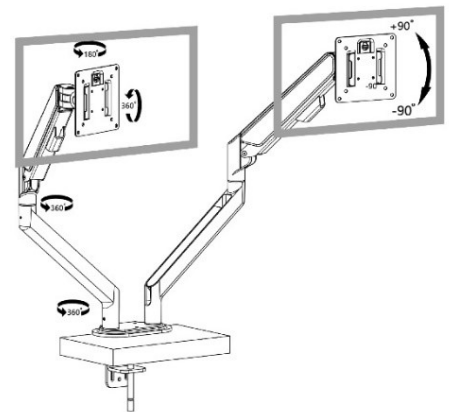
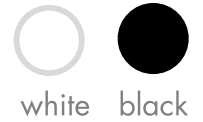


ACTIVATE

monitor arm



DUAL MONITOR ARM KA-200



- Gas Spring one touch height adjustability
- Quick release VESA Plate
- Monitor Weight load 2kg to 8kg per arm
- Integrated cable management
- Desk clamp & bolt thru grommet included
- Optional Laptop Tray
- Maximum Monitor width 2 x 890mm

Optional laptop tray



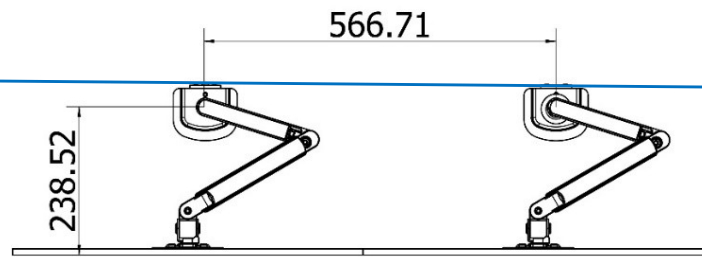
DUAL MONITOR SETUP CLAMPED WITH 2 x SINGLE ARMS



The drawings below are based on 2 x 24 inch monitors, with the bottom of the monitor being around 200mm above the desk. If the monitors are a different size &/or mounted at a different height, the below dimensions will vary.

SUGGESTED SETUP

2 Single Clamps mounted further apart showing monitors in an appropriate position.



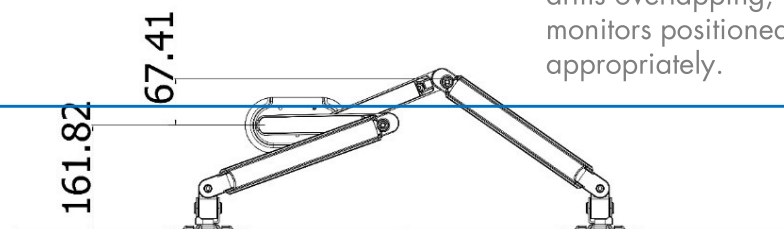
DUAL MONITOR SETUP (OVERLAP) CLAMPED WITH 1 x DUAL ARM



The drawing below is based on 2 x 24 inch monitors, with the bottom of the monitor being around 200mm above the desk. If the monitors are a different size &/or mounted at a different height, the below dims will vary.

SUGGESTED SETUP 2 x 24 inch Monitors

1 x Dual Arm clamp showing arms overlapping, resulting in monitors positioned appropriately.



ACTIVATE

monitor arm



TECHNICAL SPECIFICATIONS

Gas Lift Height Adjustment:	297mm
Maximum Arm Reach:	520mm
Monitor Weight load:	2kg to 8kg
VESA Release:	Quick release
VESA Horizontal Tilt / Turn / Rotate:	+/- 90 deg tilt / 180 deg turn / 360 deg (landscape/portrait)
VESA Mount Holes:	100x100mm and 75x75mm
Included Desk Clamp:	Yes (10mm to 80mm top thickness)
Included Bolt thru Grommet:	Yes (10mm to 60mm top thickness)
Code / SKU (Single/Dual Arm):	Single Arm - KA-101w (white) KA-101b (black) Dual Arm - KA-200w (white) KA-200b (black)
Code / SKU (Laptop Tray):	Laptop Tray Add on – KA-LTb (black)

