

One

Your quiet space for undisturbed phone calls and deep work.



Technical Information

Capacity

1 Person

Warranty

Two-year warranty

Furniture

HPL table & swivel stool

Acoustic

30dB NIC ASTM E596

Footprint

1000mm x 986mm

Ventilation

- Airflow: 120m³/hr
- 1x silent, built-in adjustable fan

Lighting

- Roundlight: 1x 6w LED (dimnable)
- Colour temperature: 3000K (adjustable)
- Colour Rendering Index (CRI): 95+

Dimensions

- Internal: W: 840mm D: 950mm H: 2140mm
- External: W: 1000mm D: 986mm H: 2300mm
- Door: W: 865mm
- Weight: 246kg

Power and Data

- Internal: 1x DGPO, 1x USB-A, 1x USB-C (below desk)
- External: Power inlet, located on back left-hand side. Includes a standard 1.8 metre long cable
- Power consumption: 11W
- Operation: Motion sensor operated with manual controls

Design

- Eco-friendly materials and packaging
- Mount monitors on the wall or table
- Fire sprinkler hole

Certifications

- AS/NZS 3000: Australian and New Zealand wiring rules for safe electrical installations
- ISO 23351-1 & ASTM E596: Measures the pod's ability to reduce speech levels for privacy
- FireMark: Recognised by Australian authorities as a mark of fire safety for passive fire products
- BIFMA Level 2: Sustainability standard for furniture, evaluating environmental, social, and health impacts

Finishes

Exterior Shell

Electrostatic Coated / Architectural Surface Film

- Cloud White Standard
- Domino Black Standard
- Custom Colours

Interior

PET Acoustic Panels

- Dark Grey GP-04
- Custom Colours

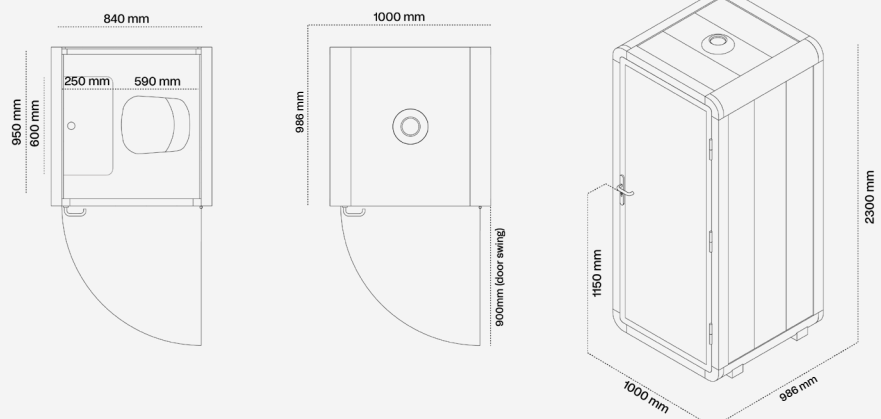
Carpet

Anti-Static

- Dark Grey FP1-1

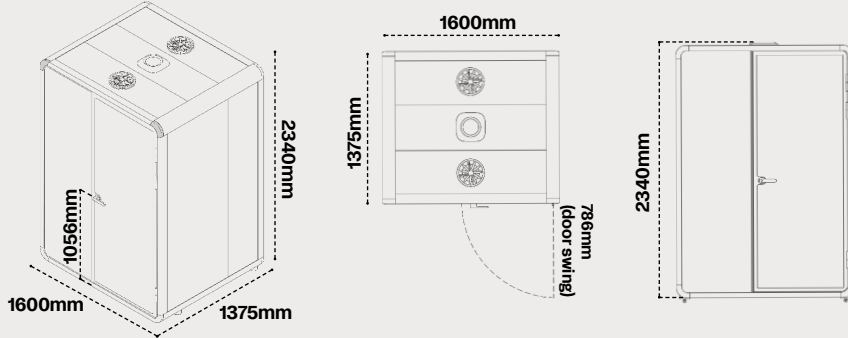
Drawings

*Dimensions shown are for reference only and do not constitute a technical drawing. A minimum clearance of 40mm is required on all sides for installation and ventilation purposes, and 60mm clearance required on top for fan ventilation.



One+

The One+ can be used in One+ ways. Comfortable, spacious and meticulously crafted for deep and meaningful work. Step inside this quiet refuge to get in the zone and stay in it all day.



*Dimensions shown are for reference only and do not constitute a technical drawing. A minimum clearance of 40mm is required on all sides for installation and ventilation purposes.



Capacity

1-2 People

Warranty

Two-years warranty

Acoustic

>30db

Footprint

w:1600mm x d:1375mm

Ventilation

- Airflow: 110 m³/hr
- 3x Fans (1x in, 2x out)

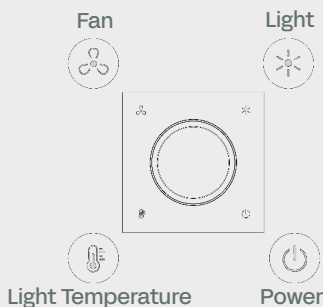
Lighting

- 1 Light: 36w (24V/1.5A)
- Colour temperature: 3000K-6000K (adjustable)
- Colour Rendering Index (CRI): 92

Dimensions (wxdxh)

- Internal: 1462mm x 1335mm x 2146mm
- External: 1600mm x 1375mm x 2340mm
- Doorway: w:741mm x h:2118mm
- Weight: 502kg

Control panel



Power and Data

- Outlets: x1 DGPO, x1 USB-C, and x1 USB-A above table height (on wall)
- Power access on left side
- Power consumption: 52W
- Motion sensor controls lights and air flow automatically

Design

- Eco-friendly materials and packaging
- Integrated ventilation system
- Fire sprinkler hole: pre-cut opening for easy sprinkler integration
- Built-in occupancy lights
- Control panel: adjust ventilation, light strength, and temperature

Certifications

- RCM (Electrical Safety & EMC): Independently evaluated by SGS for electrical safety and EMC compliance for the complete booth system
- AS 5637.1 (Fire Performance): Lab-tested wall and ceiling linings for fire performance, evaluated by SGS
- ISO 23351-1 (Acoustics): Lab-measured speech privacy up to ~30dB SLR for quieter calls and focus
- FSC® Chain of Custody (Timber): Responsibly sourced, traceable timber supply
- ISO 9001 / ISO 14001: Quality and environmental management systems at the manufacturing site

*Evidence pack available on request; scope may vary by configuration.

Finishes

Exterior Shell

Electrostatic coated / Architectural surface film

- Cloud White Standard
- Domino Black Standard
- Custom Colours

Interior

Fabric Wrap on PET Acoustic Panel

- Focus Range FO-82
- Custom Colours

Carpet

Anti-static

- Dark Grey FP2-1

Occupancy Lighting

- Occupied
- Available

*Any custom finishes will be subject to a 12+ week lead time.

Furniture Configurations

Each booth offers a unique space, the furniture makes it yours. Desks, benches, lean bars, or sofas - every configuration is designed around how people actually work; and what happens inside each booth is up to you.

Most Popular

One+ Meet



A booth built for two minds. One+ Meet comes with dual lounge seats and a central table, ideal for 1:1's or private catch-ups. Whether you want a meeting room or a quiet place for focused work, keep private calls, well, private.

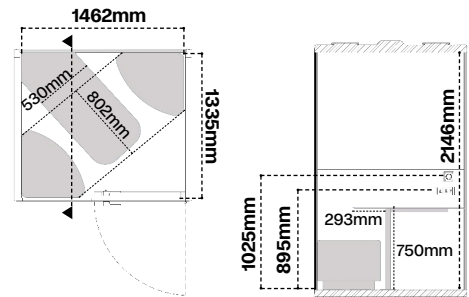
Finishes

Table

- Alabaster TB-02
- Custom Colours

Corner Seats

- Focus Range FO-86
- Custom Colours



*Dimensions shown are for reference only and do not constitute a technical drawing.

One+ Focus



The ultimate private office, the One+ Focus is comfortable, spacious and meticulously crafted for deep and meaningful work; with a desk, ergonomic chair and integrated power. Step inside to switch off distractions and stay in flow for hours.

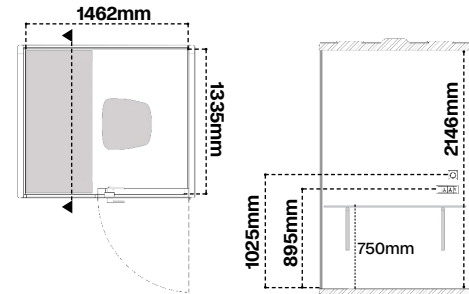
Finishes

Desk

- Alabaster TB-02
- Custom Colours

Task Chair

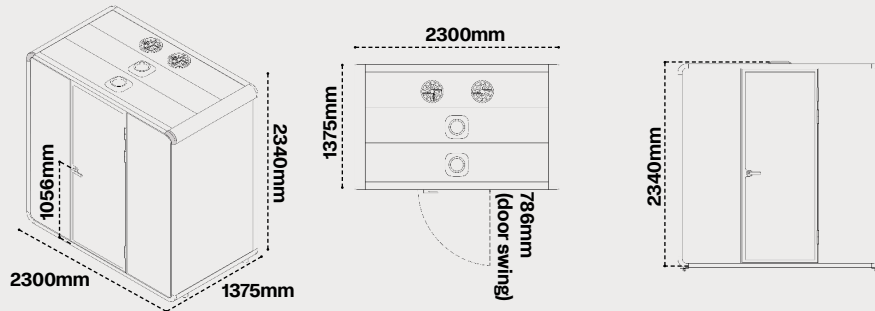
- Black
- Custom Colours



*Dimensions shown are for reference only and do not constitute a technical drawing.

Quad

The Quad booth comes with room for your brilliant ideas to breathe. A smarter space for small teams, the Quad is balanced, adaptable and made for conversations that matter.



*Dimensions shown are for reference only and do not constitute a technical drawing.
A minimum clearance of 40mm is required on all sides for installation and ventilation purposes.



Capacity

2-4 People

Warranty

Two-years warranty

Acoustic

>30db

Footprint

w:2300mm x d:1375mm

Ventilation

- Airflow: 218 m³/hr
- 4x Fans (2x in, 2x out)

Lighting

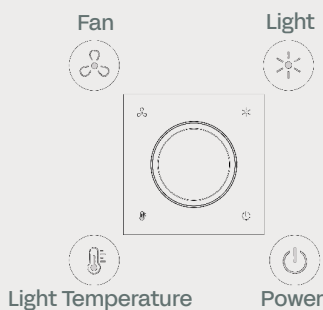
- 2 Lights: 36w (24V/1.5A)
- Colour temperature: 3000K-6000K (adjustable)
- Colour Rendering Index (CRI): 92

*for individual light

Dimensions (wxdxh)

- Internal: 2162mm x 1335mm x 2146mm
- External: 2300mm x 1375mm x 2340mm
- Doorway: w:741mm x h:2118mm
- Weight: 650kg

Control panel



Power and Data

- Outlets: x1 DGPO, x1 USB-C, and x1 USB-A above table height (on wall)
*Additional (Meet Configuration) x1 DGPO, x1 USB-C, x1 USB-A (on table)
- Power access on left side
- Power consumption: 100W
- Motion sensor controls lights and air flow automatically

Design

- Eco-friendly materials and packaging
- Integrated ventilation system
- Fire sprinkler hole: pre-cut opening for easy sprinkler integration
- Built-in occupancy lights
- Control panel: adjust ventilation, light strength, and temperature

Certifications

- RCM (Electrical Safety & EMC): Independently evaluated by SGS for electrical safety and EMC compliance for the complete booth system
- AS 5637.1 (Fire Performance): Lab-tested wall and ceiling linings for fire performance, evaluated by SGS
- ISO 23351-1 (Acoustics): Lab-measured speech privacy up to ~30dB SLR for quieter calls and focus
- FSC® Chain of Custody (Timber): Responsibly sourced, traceable timber supply
- ISO 9001 / ISO 14001: Quality and environmental management systems at the manufacturing site

*Evidence pack available on request; scope may vary by configuration.

Finishes

Exterior Shell

Electrostatic coated / Architectural surface film

- Cloud White Standard
- Domino Black Standard
- Custom Colours

Interior

Fabric Wrap on PET Acoustic Panel

- Focus Range FO-82
- Custom Colours

Carpet

Anti-static

- Dark Grey FP2-1

Occupancy Lighting

- Occupied
- Available

*Any custom finishes will be subject to a 12+ week lead time.

Furniture Configuration

Each booth offers a unique space, the furniture makes it yours. Desks, benches, lean bars, or sofas - every configuration is designed around how people actually work; and what happens inside each booth is up to you.

Quad Meet

The Quad Meet offers ample space for genuine collaboration. With seating for up to four people, making team brainstorm and important conversations more productive and focused, without sacrificing comfort.



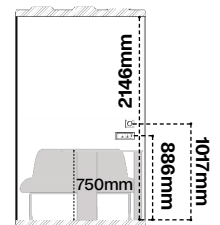
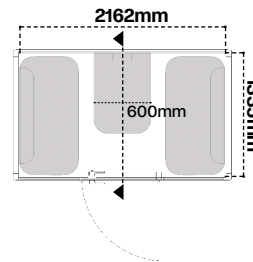
Finishes

Table

- Alabaster TB-02
- Custom Colours

Benches

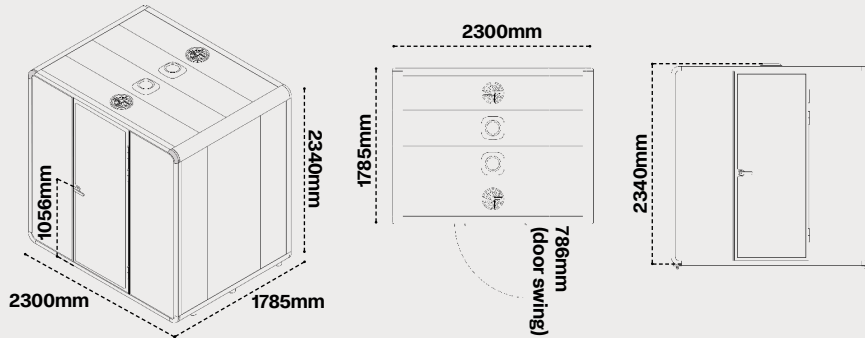
- Focus Range FO-86
- Custom Colours



*Dimensions shown are for reference only and do not constitute a technical drawing.

Quad+

Meet, collaborate and focus - together; This is our most versatile booth with a generous footprint. Built for small groups or for use as a spacious private office, it adapts to fit the way you work.



*Dimensions shown are for reference only and do not constitute a technical drawing. A minimum clearance of 40mm is required on all sides for installation and ventilation purposes.



Capacity

1-6 People

Warranty

Two-years warranty

Acoustic

>30db

Footprint

w:2300mm x d:1785mm

Ventilation

- Airflow: 218 m³/hr
- 4x Fans (2x in, 2x out)

Lighting

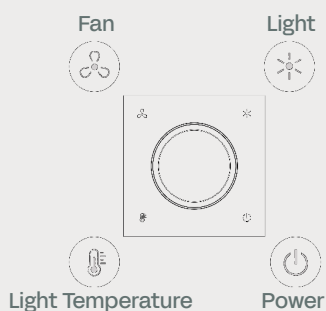
- 2 Lights: 60w (24V/2.5A)
- Colour temperature: 3000K-6000K (adjustable)
- Colour Rendering Index (CRI): 92

*for individual light

Dimensions (wxdxh)

- Internal: 2162mm x 1745mm x 2146mm
- External: 2300mm x 1785mm x 2340mm
- Doorway: w:741mm x h:2118mm
- Weight: 700kg

Control panel



Power and Data

- Outlets: x1 DGPO, x1 USB-C, and x1 USB-A above table height (on wall)
*Additional (Meet Configuration) x1 DGPO, x1 USB-C, x1 USB-A (on table)
- Power access on left side
- Power consumption: 100W
- Motion sensor controls lights and air flow automatically

Design

- Eco-friendly materials and packaging
- Integrated ventilation system
- Fire sprinkler hole: pre-cut opening for easy sprinkler integration
- Built-in occupancy lights
- Control panel: adjust ventilation, light strength, and temperature

Certifications

- RCM (Electrical Safety & EMC): Independently evaluated by SGS for electrical safety and EMC compliance for the complete booth system
- AS 5637.1 (Fire Performance): Lab-tested wall and ceiling linings for fire performance, evaluated by SGS
- ISO 23351-1 (Acoustics): Lab-measured speech privacy up to ~30dB SLR for quieter calls and focus
- FSC® Chain of Custody (Timber): Responsibly sourced, traceable timber supply
- ISO 9001 / ISO 14001: Quality and environmental management systems at the manufacturing site

*Evidence pack available on request; scope may vary by configuration.

Finishes

Exterior Shell

Electrostatic coated / Architectural surface film

- Cloud White Standard
- Domino Black Standard
- Custom Colours

Interior

Fabric Wrap on PET Acoustic Panel

- Focus Range FO-82
- Custom Colours

Carpet

Anti-static

- Dark Grey FP2-1

Occupancy Lighting

- Occupied
- Available

*Any custom finishes will be subject to a 12+ week lead time.

Furniture Configurations

Each booth offers a unique space, the furniture makes it yours. Desks, benches, lean bars, or sofas - every configuration is designed around how people actually work; and what happens inside each booth is up to you.

Quad+ Meet



Designed for small teams that think big. The Quad+ Meet includes two benches and a large central table, seating four comfortably while keeping the room compact and soundproof.

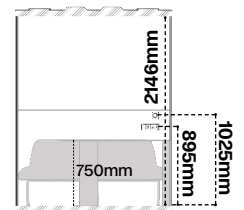
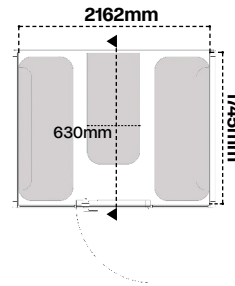
Finishes

Table

- Alabaster TB-02
- Custom Colours

Benches

- Focus Range FO-86
- Custom Colours



*Dimensions shown are for reference only and do not constitute a technical drawing.

Quad+ Focus



A spacious single office for serious work. The Quad+ Focus comes with a full desk and ergonomic chair, giving you space to spread out, plan, and focus without interruptions.

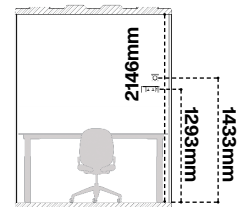
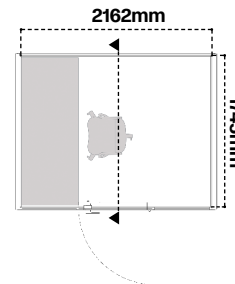
Finishes

Desk

- Alabaster TB-02
- Custom Colours

Task Chair

- Black
- Custom Colours



*Dimensions shown are for reference only and do not constitute a technical drawing.

Quad+ Collab



Made for collaborative thinking and creative sessions. The Quad+ Collab features a corner sofa and a side table, perfect for workshops, design reviews, or solving the most complex problems.

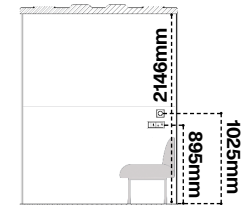
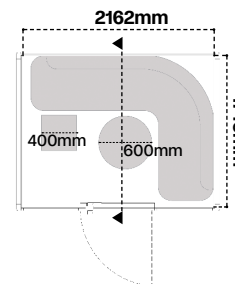
Finishes

Tables

- Alabaster TB-02
- Custom Colours

Corner Sofa

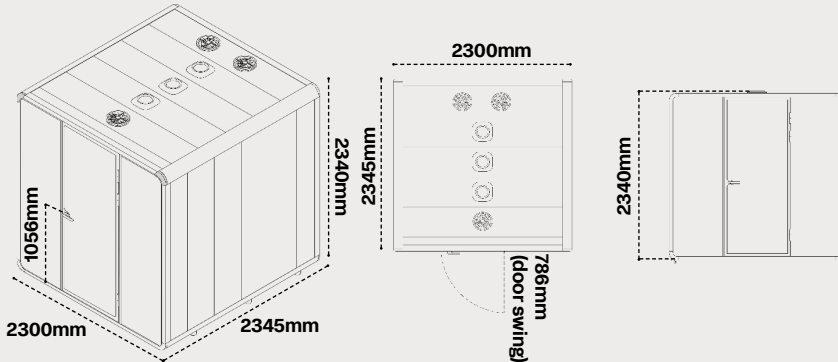
- Focus Range FO-86
- Custom Colours



*Dimensions shown are for reference only and do not constitute a technical drawing.

Team

Our largest booth offers flexibility as a meeting space or lounge, allowing larger teams to connect and collaborate.



*Dimensions shown are for reference only and do not constitute a technical drawing. A minimum clearance of 40mm is required on all sides for installation and ventilation purposes.

Capacity

4-6 People

Warranty

Two-years warranty

Acoustic

>30db

Footprint

w:2300mm x d:2345mm

Ventilation

- Airflow: 327 m³/hr
- 6x Fans (3x in, 3x out)

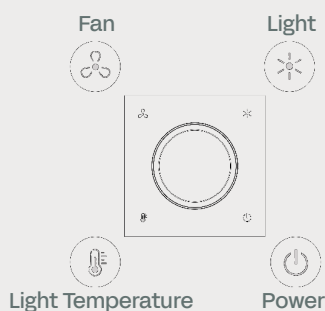
Lighting

- 2 Lights: 60w (24V/2.5A)
- Colour temperature: 3000K-6000K (adjustable)
- Colour Rendering Index (CRI): 92
*for individual light

Dimensions (wxdxh)

- Internal: 2162mm x 2315mm x 2146mm
- External: 2300mm x 2345mm x 2340mm
- Doorway: w:741mm x h:2118h
- Weight: 850kg

Control panel



Power and Data

- Outlets: x1 DGPO, x1 USB-C, and x1 USB-A above table height (on wall)
*Additional (Meet Configuration) x1 DGPO, x1 USB-C, x1 USB-A (on table)
- Power access on left side
- Power consumption: 120W
- Motion sensor controls lights and air flow automatically

Design

- Eco-friendly materials and packaging
- Integrated ventilation system
- Fire sprinkler hole: pre-cut opening for easy sprinkler integration
- Built-in occupancy lights
- Control panel: adjust ventilation, light strength, and temperature

Certifications

- RCM (Electrical Safety & EMC): Independently evaluated by SGS for electrical safety and EMC compliance for the complete booth system
- AS 5637:1 (Fire Performance): Lab-tested wall and ceiling linings for fire performance, evaluated by SGS
- ISO 23351-1 (Acoustics): Lab-measured speech privacy up to ~30dB SLR for quieter calls and focus
- FSC® Chain of Custody (Timber): Responsibly sourced, traceable timber supply
- ISO 9001 / ISO 14001: Quality and environmental management systems at the manufacturing site

*Evidence pack available on request; scope may vary by configuration.

Finishes

Exterior Shell

Electrostatic coated / Architectural surface film

- Cloud White Standard
- Domino Black Standard
- Custom Colours

Interior

Fabric Wrap on PET Acoustic Panel

- Focus Range FO-82
- Custom Colours

Carpet

Anti-static

- Dark Grey FP2-1

Occupancy Lighting

- Occupied
- Available

*Any custom finishes will be subject to a 12+ week lead time.

Furniture Configurations

Each booth offers a unique space, the furniture makes it yours. Desks, benches, lean bars, or sofas - every configuration is designed around how people actually work; and what happens inside each booth is up to you.

Most Popular



Team Meet



The Team Meet is designed to inspire productive team collaboration. It comes with two large benches and meeting table, giving your team space to present, decide, and move projects forward.

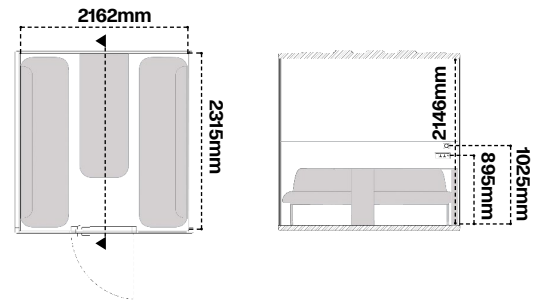
Finishes

Table

-  Alabaster TB-02
-  Custom Colours

Benches

-  Focus Range FO-86
-  Custom Colours



*Dimensions shown are for reference only and do not constitute a technical drawing.



Team Collab



For workshops, brainstorms, and group energy. Team Collab includes a corner sofa and side table with open floor space for movement, notes, and ideas. A flexible room where collaboration stays contained, not chaotic.

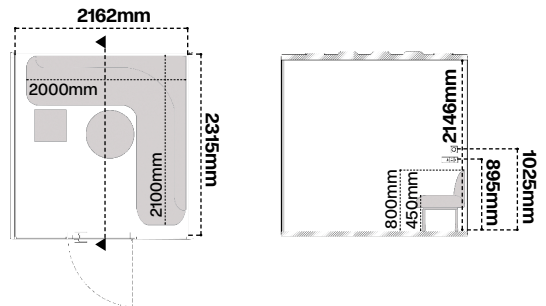
Finishes

Tables

-  Alabaster TB-02
-  Custom Colours

Corner Sofa

-  Focus Range FO-86
-  Custom Colours



*Dimensions shown are for reference only and do not constitute a technical drawing.





Team Huddle

With space for up to 4 people, seats arranged for quick stand-ups and team check-ins. Team Huddle's central table and ergonomic chairs make alignment fast, focused, and distraction-free, allowing for deeper connection and collaboration.

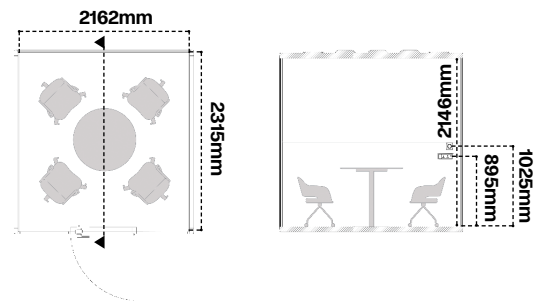
Finishes

Table

-  Alabaster TB-02
-  Custom Colours

Chairs

-  Black
-  Custom Colours



*Dimensions shown are for reference only and do not constitute a technical drawing.