

# axxessPLUS DUO



AxxessPLUS DUO is a frame-less, perfectly flush, in-desk box that provides connectivity to services from both sides of a conference desk or boardroom table.

Designed to complement the workspace axxessPLUS DUO sits flush for a streamlined look while providing easy access to power, TUF USB fast charging, data and AV services. TUF-HP USB C laptop charging is also available as an option.

AxxessPLUS DUO comes with two lids edged with black brush pile strip to facilitate cable feed.

Available in black, white or naturally anodised aluminium or can be veneered to perfectly maintain the superb finish of the work surface, complimenting the design of the workspace.

AxxessPLUS DUO is available in 302 mm or 442 mm lengths with longer custom lengths available by request.



# axxessPLUS DUO TECHNICAL

## COMMON COMPONENTS



\* Wide range of Data / AV cutouts and couplers available on request  
QikFIT Modules available as standard in Black or White

### Power and Data configurations available

- Power or Data only
- Power and USB Fast Charging
- Combined (Power, USB Fast Charging & Data/AV)
- TUF-HP (high powered) USB Laptop Charging option
- International Sockets available on request

AxxessPLUS DUO is designed and intended for commercial use.

## FEATURES

**Two Sizes Available:** Either 442 mm (standard) length or 302 mm (mini) length. Utilises the **OE Elsafe QikFIT** range of components including TUF USB Fast Charging. QikFIT power and data modules are available in black or white.

**Reversible USB A Port:** Accepts cable both ways.

**Black brush pile lid - colours:** - Natural anodised aluminium or powder coated black or white. Chassis – Powder coated black or white

**Recessed lid option:** recessed to allow for table veneer from 0.5mm -0.8mm.

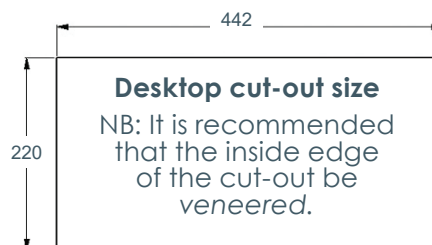
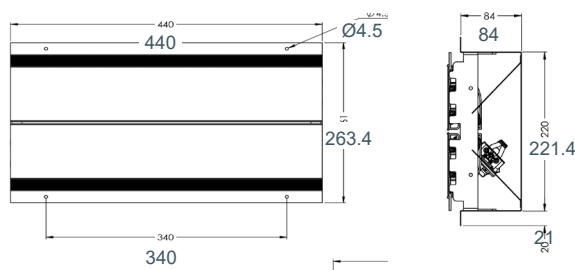
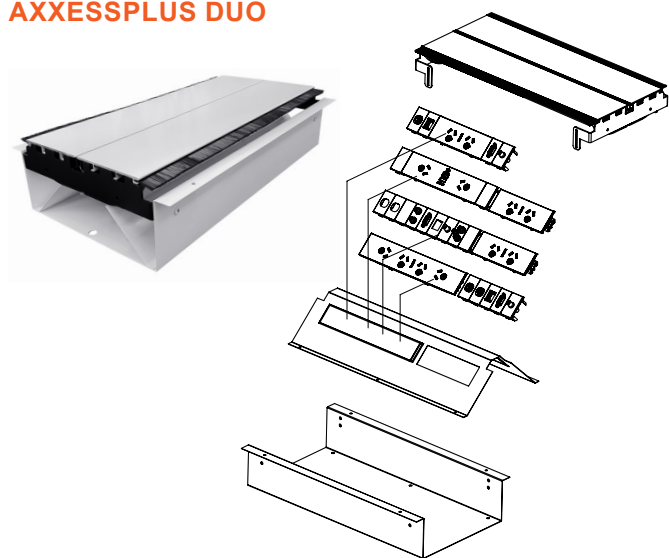
**Insulation:** QikFIT modules with reinforced insulation.

**Testing:** 100% testing – continuity, polarity, insulation & earth.

**Fitting:** Please see website for detailed fitting instructions.

**Inside Cut Edge Finish:** The inside cut edge is visible, it is recommended to laminate or finish to suit application.

## AXXESSPLUS DUO



## AXXESSPLUS DUO MINI

